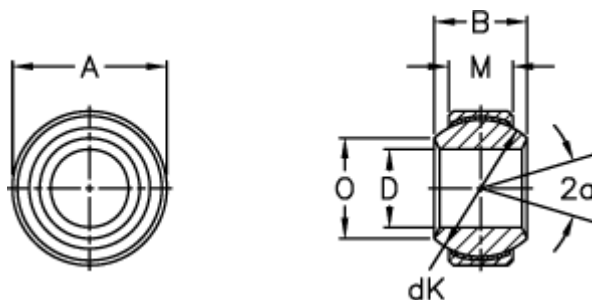


Article number: 03508020

Description: Fluro Rod end GE 20FW-2RS

Measures



A	= 42 0 -0,011	Tilt angle = 17
B	= 25	Weight = 160
D	= 20 0 -0,010	
dK	= 35.5	
Dynamic load C (kN)	= 51	
M	= 16	
O	= 25.2	
Static load C0 (kN)	= 127	